

1

2

3

4

5

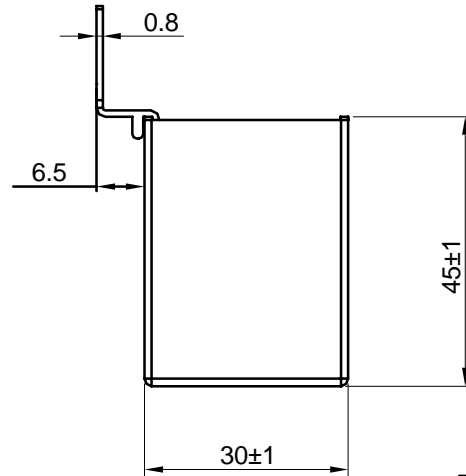
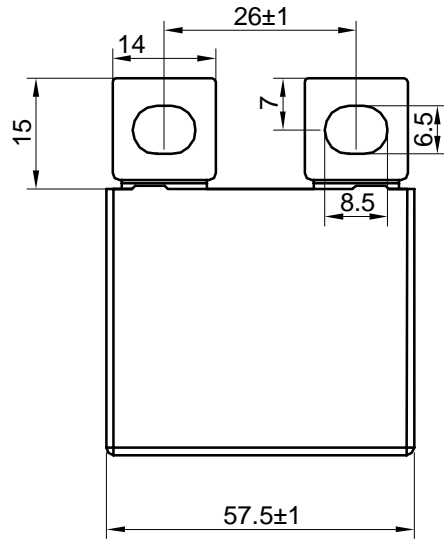
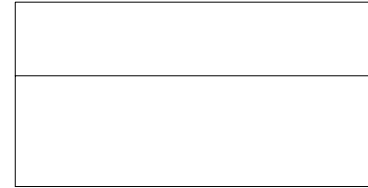
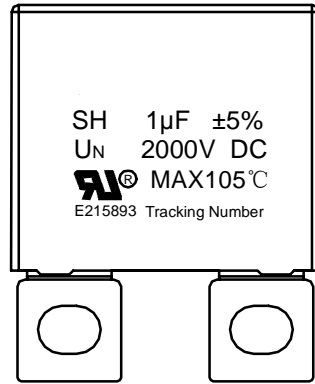
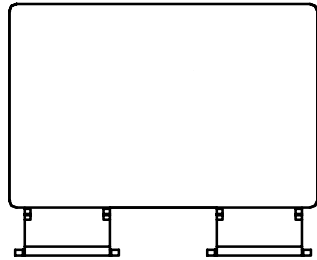
6

A

B

C

D



| Detailed data                            |                             |
|--|-----------------------------|
| Rated capacitance                        | 1µF                         |
| Capacitance tolerance                    | ±5%                         |
| Rated voltage                            | 2000V.DC                    |
| Biggest current                          | 22A                         |
| Biggest impact current                   | Ip≥1000A                    |
| Change rate of votage                    | dv/dt≥1000V/µS              |
| Tangent of loss angle                    | tg≤0.0007 (10kHz)           |
| Equivalent resistor in series            | ESR≤8mΩ                     |
| Mixed inductance                         | ESL≤20nH                    |
| Insulation resistor                      | Rs·C≥5000S                  |
| V <sub>T-T</sub> (terminal and terminal) | 3000VDC/10S                 |
| V <sub>T-C</sub> (terminal and case)     | ---                         |
| Characteristic of structure              |                             |
| Shape                                    | plastic case                |
| Filling material                         | Flame-resistant epoxy resin |
| Medium material                          | PP                          |
| Connect terminal                         | copper terminal             |
| Max warp distance of terminal            | ---                         |
| Working condition                        |                             |
| Humidity of environment                  | 0~95%                       |
| Climation sort                           | -40℃~105℃                   |
| Cooling way                              | Natural cooling             |
| Safty class                              |                             |
| Standard                                 | GB/T17702、IEC61071          |
| Flame-resistant class                    | UL94-V0                     |

| Symbol | No. | Explain of change | Date | People of change | Auditing |
|--------|-----|-------------------|------|------------------|----------|
|        |     |                   |      |                  |          |
|        |     |                   |      |                  |          |
|        |     |                   |      |                  |          |

| No.             | Part/Model        | Material/Model | Quantity  | Craft        | Remarks         |
|-----------------|-------------------|----------------|-----------|--------------|-----------------|
|                 |                   |                |           |              |                 |
| Name of product | Snubber Capacitor |                |           | Name of part | Product Drawing |
| scale           | Liuwchang         | Liuwchang      |           | D0506        | Drawing No.     |
| plot            | design            | auditing       | authorize | date         |                 |

1

2

3

4

5

6