

APPROVAL SHEET

承认书

记录编号: 版本: v0.3

Customer 客户名称	
Part NO. 产品型号	Z350IT006
Product type 产品内容	Mode: Transmissive type .Normally white. TFT LCD Module LCD Module: Graphic 320RGB*480Dot-matrix
Remarks 备注栏	<input type="checkbox"/> APPROVAL FOR SEPCIFICATIONS ONLY <input checked="" type="checkbox"/> APPROVAL FOR SEPCIFICATIONS AND SAMPLE
Signature by Customer: 客户确认签章	

核准	审核	定制

客户确认

核准	审核	审核



TABLE OF Contents

1. General Description.....	3
2. Features.....	3
3. Mechanical Specification.....	3
4. Mechanical Dimension.....	4
5. Maximum Ratings.....	5
6. Electrical Characteristics.....	5
7. Backlight Characteristic.....	5
8. Module Function Description.....	7
9. Electro-optical Characteristics.....	14
10. Reliability.....	18
11. Inspection Standards.....	19
12. Precautions For Using LCD Modules.....	23
13. Revision History.....	24

1. General Description

Z350IT006 is a 320RGB*480 dots matrix TFT LCD module. It has a TFT panel composed of 960 sources and 480gates. The LCM can be easily accessed by micro-controller.

2. Features

Display Mode	Transmissive
	a-TFT
Display Format	Graphic 320RGB*480 Dot-matrix
Input Data	8 /16bits parallel interface & SPI
Viewing Direction	12 o'clock
Drive	ILI9486L

3. Mechanical Specification

Item	Specifications	Unit
Dimensional outline	55.26(W)*84.52 (H)*3.50(T) (FPC not include)	mm
Resolution	320RGB*480	dots
LCD Active area	48.96(W)*73.44(H)	mm
Pixel size	0.153(W)*0.153(H)	mm

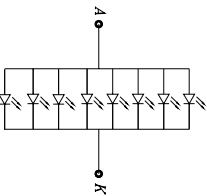
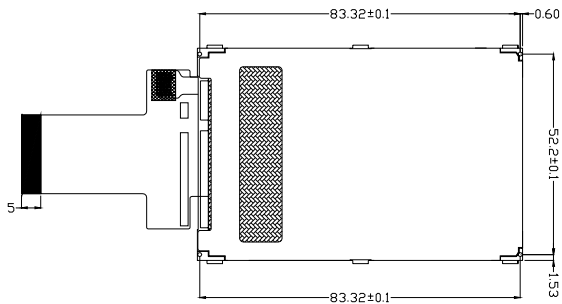
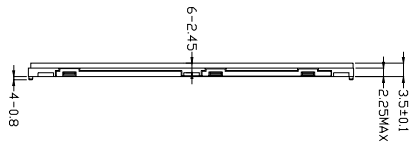
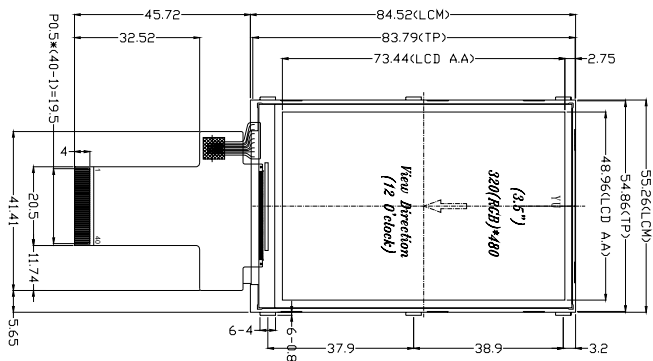
4. Mechanical Dimension


深圳市正晶浩电子有限公司
 ZJH DISPLAYER TECHNOLOGYCO.,LTD

钟会明 客户经理

web site/网址 : www.zjhlcd.com
 Tel/电话 : (+86)755-29355801
 Mobile/手机 : 13392848764
 E-mail/邮箱 : 1553309801@qq.com

- NOTES:
1. DISPLAY TYPE: TFT
 2. OPERATING TEMP: -20° C~70° C
 3. STORAGE TEMP: -30° C~80° C
 4. LCD DRIVER: COG(IC: LI19486L);
 5. BACKLIGHT: 8 CHIP-WHITE LED
 6. GENERAL TOLERANCE: ±0.20
 7. ROHS



CIRCUIT DIAGRAM
(I=15mA * 8 V=3.0-3.4V)

PIN	SYMBOL
1	X(D)
2	Y(D)
3	X(R)
4	Y(O)
5	OND
6	DDVCC (1.8V/2.8V)
7	VCI (2.8V)
8	PNARR
9	CS/SP1 CS
10	RS/A0 (4#)
11	WR/SP1 SCL/SGK
12	RD
13	SP1 SDI/SDA
14	SP1 SDO
15	RESET
16	ND
17	DB0
18	DB1
19	DB2
20	DB3
21	DB4
22	DB5
23	DB6
24	DB7
25	DB8
26	DB9
27	DB10
28	DB11
29	DB12
30	DB13
31	DB14
32	DB15
33	A
34	K
35	K
36	K
37	OND
38	IM0
39	IM1
40	IM2

REV	DESCRIPTION	DATE
G-1	ISSUE	14.11.21

DRAWN BY: Luyun21/11-14	TITLE: Z3501T006
ME CHECKED BY: Zouweny21/11-14	
EE CHECKED BY: Guoguo21/11-14	DWG NO: G-1
APPROVED BY: Zouyxun21/11-14	SCALE: 1:1
	SHEET NO: 1 OF 1

深圳市正晶浩电子有限公司
 SHENZHEN ZJH DISPLAYER TECHNOLOGYCO., LTD

5. Maximum Ratings

Item	Symbol	Min	Max	Unit	Note
Supply voltage	V	-0.3	4.6	V	
Operating temperature	V _T	-0.3	V _{CC} +0.3	V	
Storage temperature	T _{OPR}	-20	70	°C	
Storage temperature	T _{STR}	-30	80	°C	

6. Electrical Characteristics

Item	Symbol	Condition	Min.	Typ.	Max.	Unit
Supply voltage	V _{CC}		2.7	2.8	3.3	V
Input Voltage	H level	T _{IH}	0.8*IOVCC		IOVCC	V
	L level	T _{IL}	-0.3		0.2* IOVCC	
Storage temperature	I _{DD}	With internal voltage generation V _{CC} =2.8V; T _{emp} =25°C			TBD	mA

7. Backlight Characteristic

Item	Symbol	Min	Typical	Max	Unit
LED module Forward voltage	V _{LED}	3.0	3.2	3.4	V
LED module current	V _{LED}		120		mA
L/G Surface Luminance ★1	L _S	4000			Cd/m ³
LCM Surface brightness uniform ★2	L _D	80			%

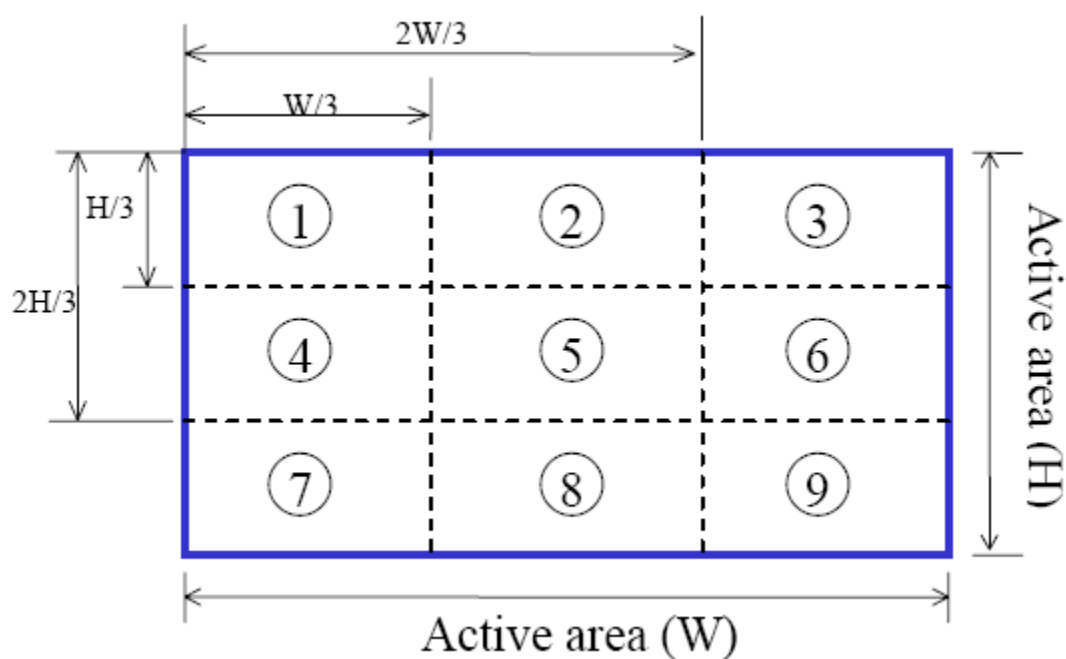
★ 1Test condition is:

- (a) Center point on active area.
- (b)Best Contrast.

★2Uniform measure condition:

- (1)Measure 9 point. Measure location show below;
- (2)Uniform=(Min. brightness /Max. brightness)*100%

(3)Best Contrast.



8. Module Function Description

8.1 Pin Descriptions

PIN No.	Symbol	Description
1	X(L)	Touch panel control pin (触摸屏控制脚)
2	Y(U)	Touch panel control pin (触摸屏控制脚)
3	X(R)	Touch panel control pin (触摸屏控制脚)
4	Y(D)	Touch panel control pin (触摸屏控制脚)
5	GND	Ground (接地脚)
6	IOVCC	Power supply for LCM (2.8V-3.3V) (屏供电脚)
7	VCI	Power supply for LCM (2.8V-3.3V) (屏供电脚)
8	FMARK	Tearing effect output pin to synchronize MPU to frame writing, activated by S/W command. When this pin is not activated, this pin is low. If not used, open this pin. (帧同信号, 不用时悬空)
9	CS/SPI CS	Chip select pin ("Low" enable) (屏驱动芯片片选脚, 低电平有效)
10	RS/ A0(4 线)	This pin is used to select "Data or Command" in the parallel interface or serial data interface. (用于并口或者串口) When RS= '1', data is selected.(选择数据) When RS= '0', command is selected.(选择寄存器) If not used, this pin should be connected to IOVCC or GND. (不用时接 IOVCC 或者接地)
11	WR/ SPI SCL/SCK	- 8080 system (WRX): Serves as a write signal and writes data at the rising edge. - 3/4-line serial interface (SCL): The pin used as serial clock pin. Fix to IOVCC or GND level when not in use.

		(并口的写控制脚或者3线,4线串口的时钟信号,不用时接IOVCC或者地)
12	RD	Serves as a read signal and MCU read data at the rising edge. Fix to IOVCC or GND level when not in use. (并口的读控制脚,不用时接IOVCC或者地)
13	SPI SDI/SDA	Serial input signal. The data is applied on the rising edge of the SCL signal. If not used, fix this pin at IOVCC or GND (串口数据输入信号,不用时接IOVCC或者接地)
14	SPI SD0	Serial output signal. If not used, open this pin (串口数据输出信号,不用时悬空) In Register B0H, SDA_EN = "0", DIN and DOUT pins are used for 3/4 wire serial interface. SDA_EN = "1", DIN/SDA pin is used for 3/4 wire serial interface and DOUT pin is not used. 在接口控制寄存器B0H中, SDA_EN设为0,在3线,4线串口中,DIN,DOUT才有效 SDA_EN设为1,在3线,4线串口中,DIN/SDA有效,作为串口数据输入/输出的复用脚,DOUT无效. NOTE: 详见 ILI9486L 数据手册第 140 页.
15	RESET	LCM Reset pin Signal is active low. (屏复位脚,低电平复位)
16	GND	Ground (接地脚)
17-24	DB0-DB7	Data bus Fix to GND level when not in use (低8位数据线,不用时接地)
25-32	DB8-DB15	Data bus Fix to GND level when not in use (高8位数据线,不用时接地)
33	A	Anode of Backlight (3.0V-3.4V Typical:3.2V) (背光正极供电脚,电压范围:3.0-3.4V,典型值:3.2V)
34-36	K	Cathode of Backlight (背光负极供电脚)
37	GND	Ground

		(接地脚)
38	IM0	Select the MCU interface mode (接口选择)
39	IM1	
40	IM2	

IM2	IM1	IM0	Interface	Data Pin in Use
0	0	0	8080 18-bit bus interface	DB[17:0]
0	0	1	8080 9-bit bus interface	DB[8:0]
0	1	0	8080 16-bit bus interface	DB[15:0]
0	1	1	8080 8-bit bus interface	DB[7:0]
1	0	0	Prohibited	-
1	0	1	3-line SPI	SDA
1	1	0	Prohibited	-
1	1	1	4-line SPI	SDA

关于接口选择:

接口选择除了上面脚位描述里写的用 I/O 口的方式进行软件控制外,还可以采用硬件的方式进行控制,在 FPC 预留了 6 个电阻来控制 IM2-IM0.

R20,R21 控制 IM2,R10,R11 控制 IM1,R00,R01 控制 IM0.

桥接 R20,R10,R00 表示把 IM2,IM1,IM0 拉低,

桥接 R21,R11,R01,表示把 IM2,IM1,IM0 拉高.

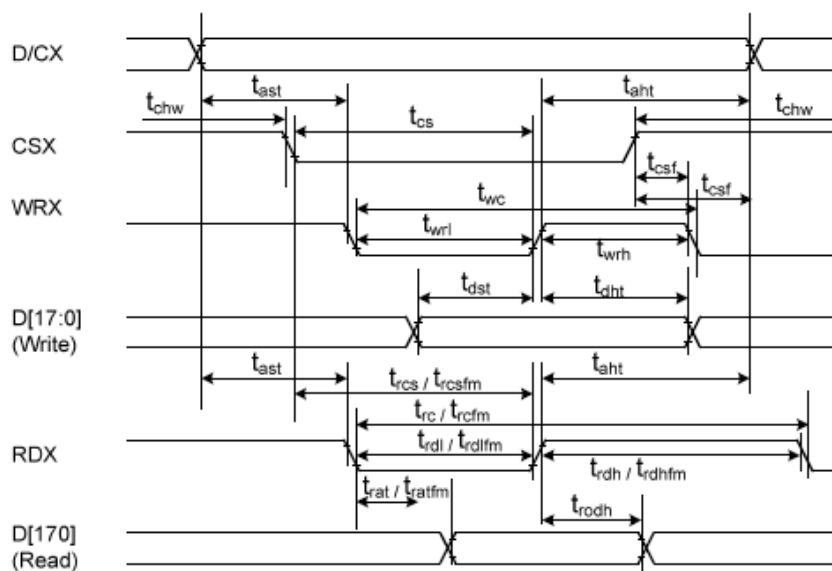
可以根据上面脚位描述里第 38 脚-40 脚的表格,选择自己所需要的接口.当然,如果客户需要哪种固定的接口,我们在出货前会先用硬件选择好.

关于供电说明:

IOVCC 和 VCC 连一起,用 2.8V-3.3V 供电;背光 LED 可以单独供电 (3.0-3.4 V),也可以和 VCC 共用一组电压 (A 为正接 VCC, K 连一起作为负接地).

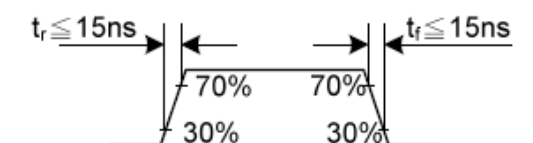
8.2 Timing characteristics.

17.3.1. Display Parallel 18/16/9/8-bit Interface Timing Characteristics (8080-series)

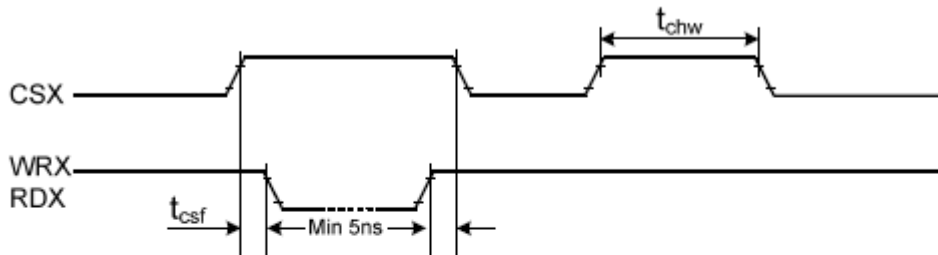


Signal	Symbol	Parameter	min	max	Unit	Description
DCX	t _{ast}	Address setup time	0	-	ns	-
	t _{ah}	Address hold time (Write/Read)	0	-	ns	-
CSX	t _{chw}	CSX "H" pulse width	0	-	ns	-
	t _{cs}	Chip Select setup time (Write)	15	-	ns	-
	t _{rcs}	Chip Select setup time (Read ID)	45	-	ns	-
	t _{rcsfm}	Chip Select setup time (Read FM)	355	-	ns	-
WRX	t _{csf}	Chip Select Wait time (Write/Read)	0	-	ns	-
	t _{wc}	Write cycle	50	-	ns	-
	t _{wrh}	Write Control pulse H duration	15	-	ns	-
RDX (FM)	t _{wrl}	Write Control pulse L duration	15	-	ns	-
	t _{rcfm}	Read Cycle (FM)	450	-	ns	When read from Frame Memory
	t _{rdhfm}	Read Control H duration (FM)	90	-	ns	
t _{rdlfm}	Read Control L duration (FM)	355	-	ns		
RDX (ID)	t _{rc}	Read cycle (ID)	160	-	ns	When read ID data
	t _{rdh}	Read Control pulse H duration	90	-	ns	
	t _{rdl}	Read Control pulse L duration	45	-	ns	
DB[17:0], DB[15:0], DB[8:0], DB[7:0]	t _{dst}	Write data setup time	10	-	ns	For maximum CL=30pF For minimum CL=8pF
	t _{dht}	Write data hold time	10	-	ns	
	t _{rat}	Read access time	-	40	ns	
	t _{ratfm}	Read access time	-	340	ns	
	t _{rod}	Read output disable time	20	80	ns	

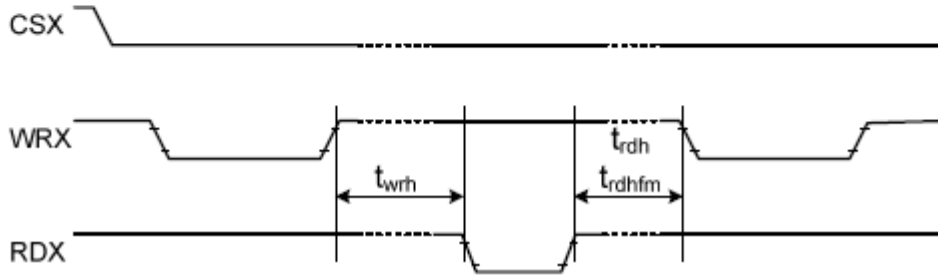
Note: (1) T_a = -30 to 70 °C, IOVCC=1.65V to 3.6V, VCI=2.5V to 3.6V, AGND=DGND=0V



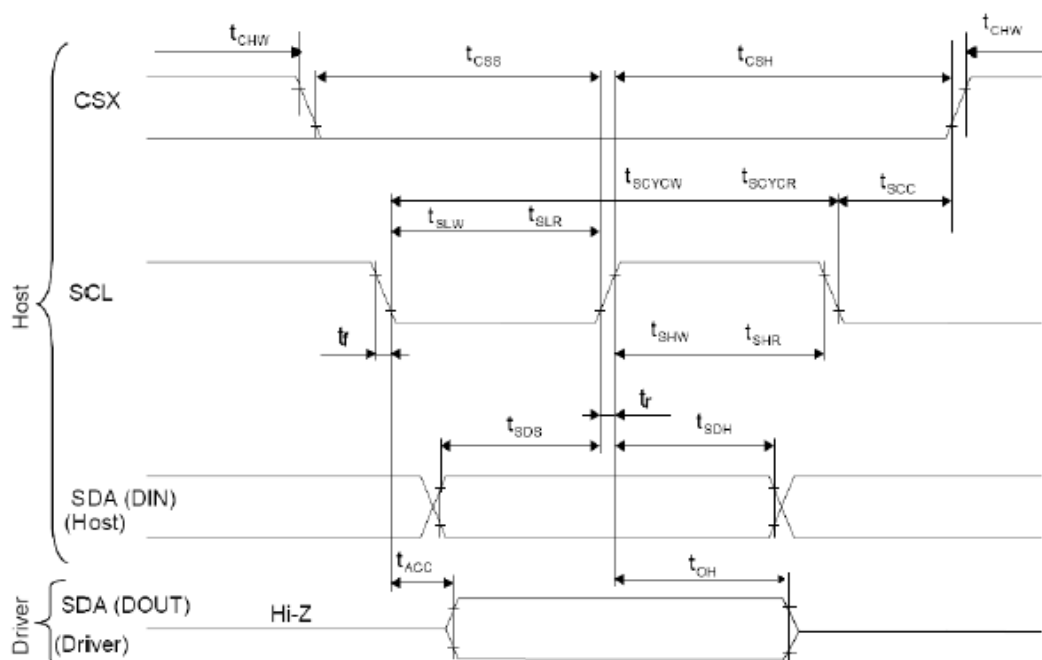
(2) Logic high and low levels are specified as 30% and 70% of IOVCC for input signals.



(3) Logic high and low levels are specified as 30% and 70% of IOVCC for input signals.

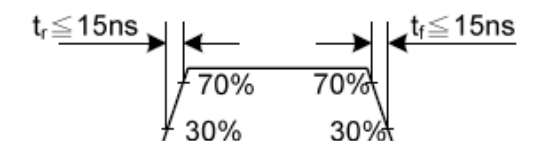


17.3.2. Display Serial Interface Timing Characteristics (3-line SPI system)

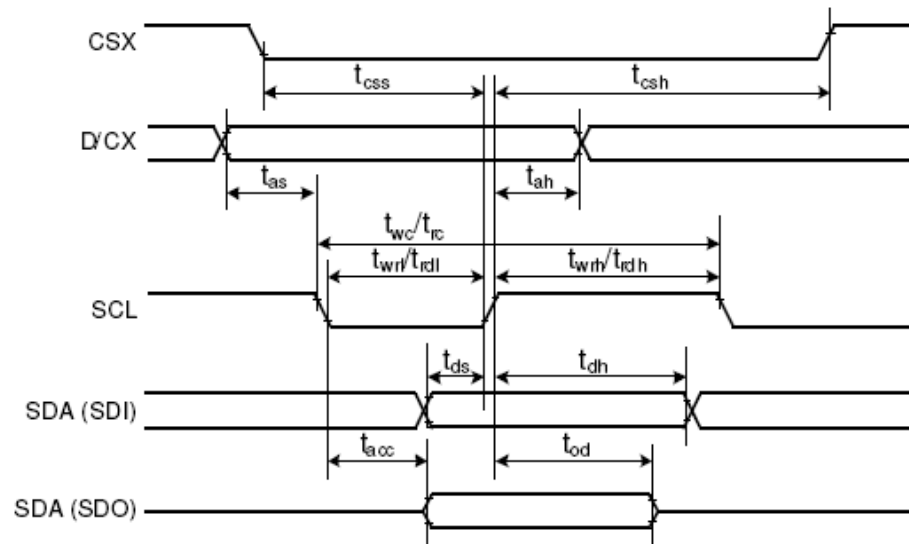


Signal	Symbol	Parameter	min	max	Unit	Description
SCL	tscycw	Serial Clock Cycle (Write)	66	-	ns	
	tshw	SCL "H" Pulse Width (Write)	15	-	ns	
	tslw	SCL "L" Pulse Width (Write)	15	-	ns	
	tscycr	Serial Clock Cycle (Read)	150	-	ns	
	tshr	SCL "H" Pulse Width (Read)	60	-	ns	
	tslr	SCL "L" Pulse Width (Read)	60	-	ns	
SDA / SDI (Input)	tsds	Data setup time (Write)	10	-	ns	
	tsdh	Data hold time (Write)	10	-	ns	
SDA / SDO (Output)	tacc	Access time (Read)	10	50	ns	
	tOH	Output disable time (Read)	15	50	ns	
CSX	tsc	SCL-CSX	15	-	ns	
	tchw	CSX "H" Pulse Width	40	-	ns	
	tcss	CSX-SCL Time	60	-	ns	
	tch		65	-	ns	

Note: $T_a = -30$ to 70 °C, $IOVCC=1.65V$ to $3.6V$, $VCI=2.5V$ to $3.6V$, $AGND=DGND=0V$, $T=10\pm 0.5ns$



17.3.3. Display Serial Interface Timing Characteristics (4-line SPI system)



Signal	Symbol	Parameter	min	max	Unit	Description
CSX	t_{css}	Chip select time (Write)	15	-	ns	
	t_{csh}	Chip select hold time (Read)	60	-	ns	
SCL	t_{wc}	Serial clock cycle (Write)	66	-	ns	
	t_{wrh}	SCL "H" pulse width (Write)	15	-	ns	
	t_{wrl}	SCL "L" pulse width (Write)	15	-	ns	
	t_{rc}	Serial clock cycle (Read)	150	-	ns	
	t_{rdh}	SCL "H" pulse width (Read)	60	-	ns	
	t_{rdl}	SCL "L" pulse width (Read)	60	-	ns	
D/CX	t_{as}	D/CX setup time	10	-	ns	
	t_{ah}	D/CX hold time (Write / Read)	10	-	ns	
SDA / SDI (Input)	t_{ds}	Data setup time (Write)	10	-	ns	
	t_{dh}	Data hold time (Write)	10	-	ns	
SDA / SDO (Output)	t_{acc}	Access time (Read)	10	50	ns	For maximum $C_L=30pF$
	t_{od}	Output disable time (Read)	15	50	ns	For minimum $C_L=8pF$

Note: (1) $T_a = -30$ to 70 °C, $IOVCC=1.65V$ to $3.6V$, $VCI=2.5V$ to $3.6V$, $AGND=DGND=0V$, $T=10+/-0.5ns$.

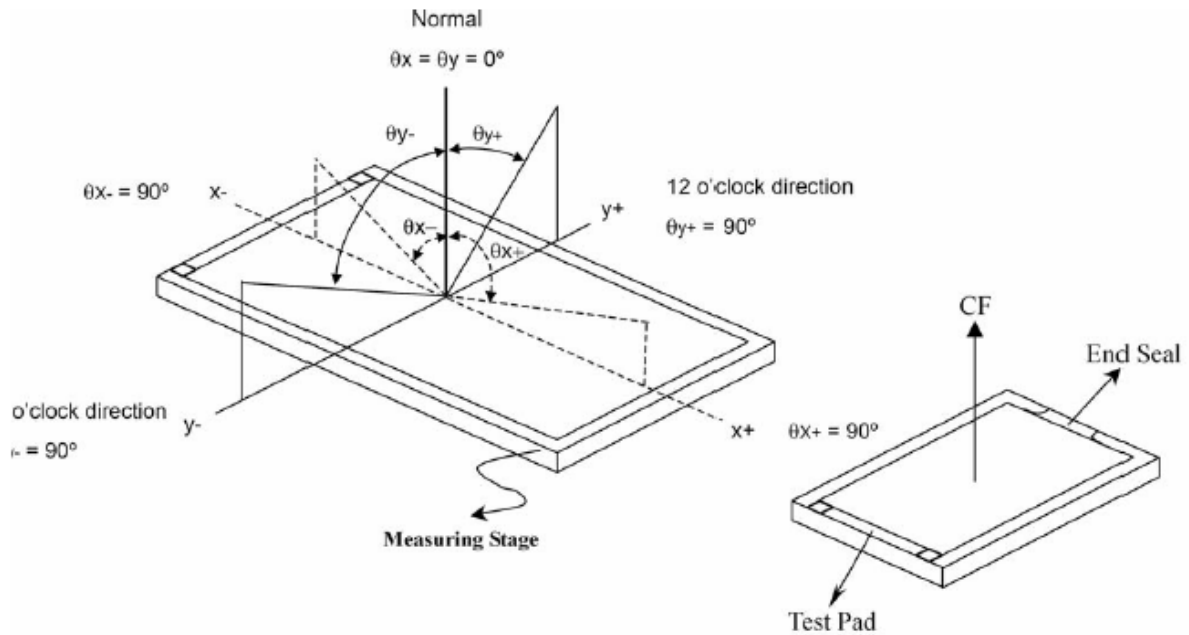
(2) Does not include signal rise and fall times.

9. Electro-optical Characteristics

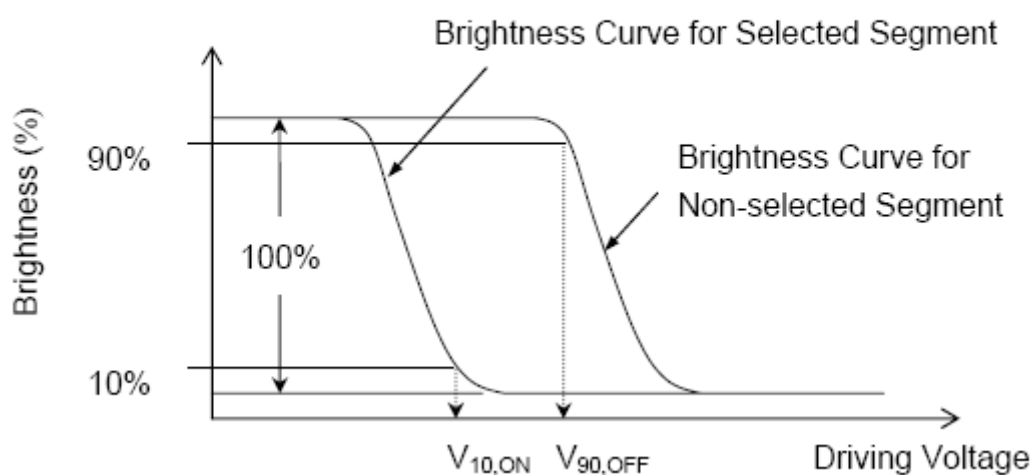
Item	Symbol	Conditions	Temp	Min.	Typ.	Max.	Unit	Note
Response Time	T_R	$\theta = \phi = 0$	25°C		TBD	TBD	msec	NOTE2
	T_F				TBD	TBD		
Viewing Angle Range	$\phi = 0^{\circ} (6'')$	$\phi = 90^{\circ} (3'')$		$\phi = 180^{\circ} (12'')$		$\phi = 270^{\circ} (9'')$		NOTE3
$\theta (25^{\circ}C) CR \geq 10$	TBD	TBD		TBD		TBD		NOTE3

The above “viewing angle” is the measuring position with the largest contrast ratio. Not for good image quality. Viewing direction for good image quality is 12 O’clock.

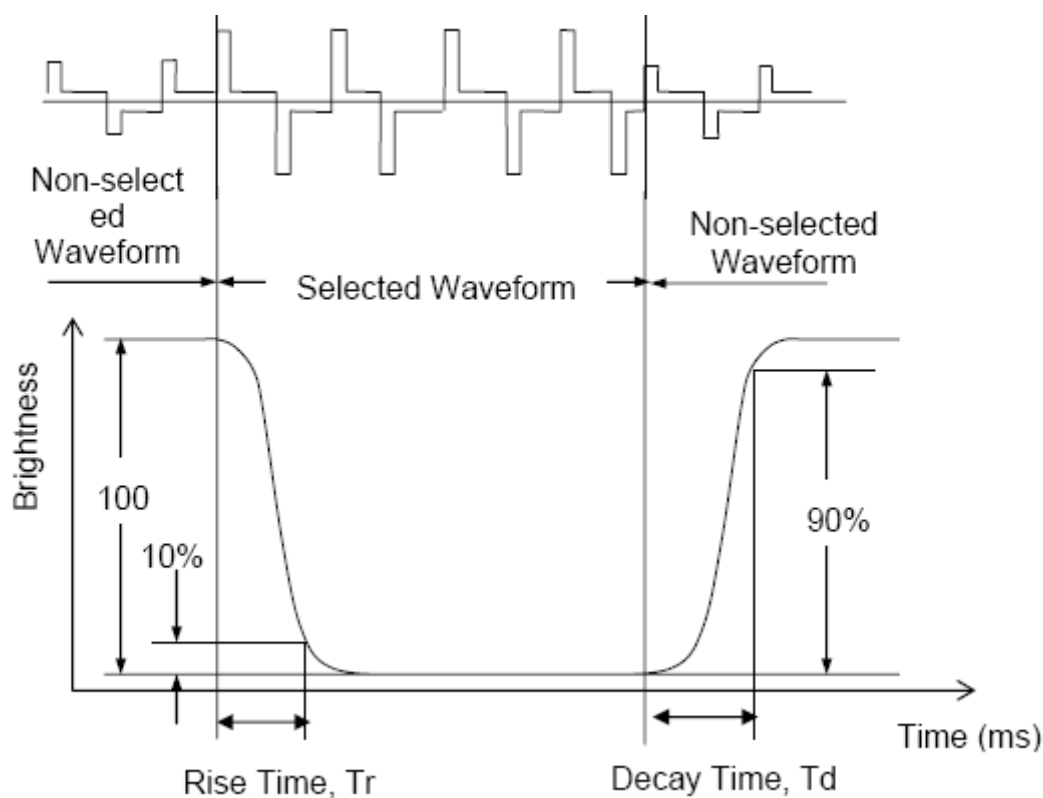
- For panel only
- Electro-Optical Characteristics Test Method



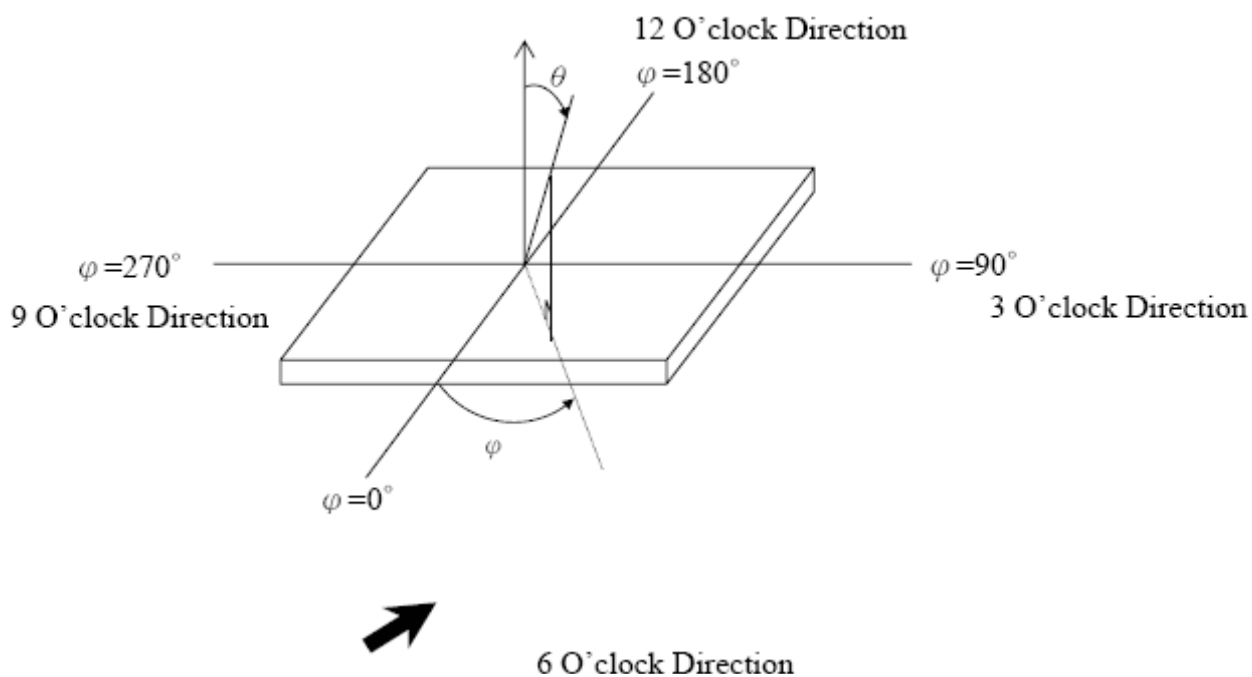
$$V_{op} = (V_{10, ON} + V_{90, OFF})/2$$



.Note2.Definition of Optical Response Time:

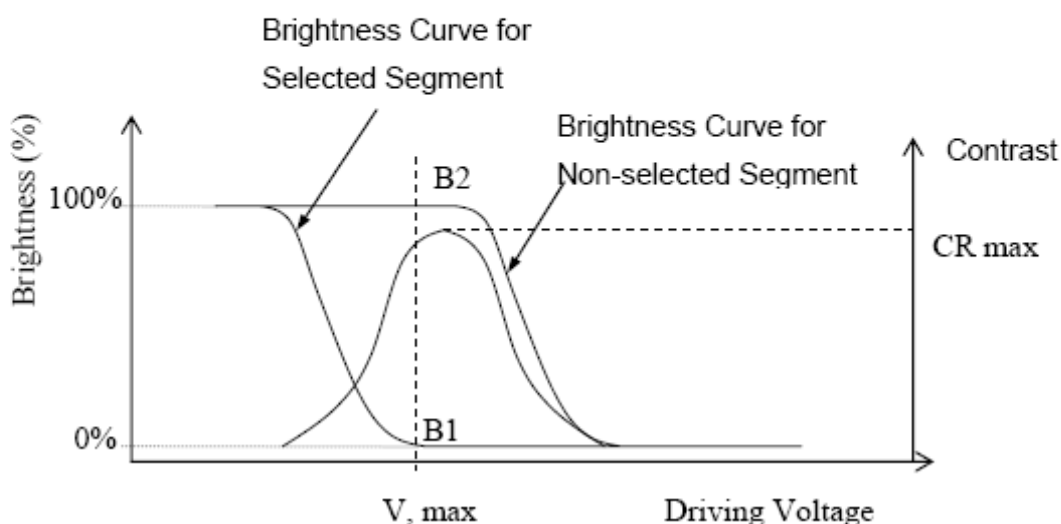


.Note3.Definition of Viewing Angle θ and ϕ :



Note4.Definition of Contrast ratio (CR):

$$CR = \frac{\text{Brightness of Non-selected Segment (B2)}}{\text{Brightness of Selected Segment (B1)}}$$



10. Reliability

10.1Mtbf

The LCD module shall be designed to meet a minimum MTBF value of 50000 hours with normal

10.2Test condition

NO.	ITEM	CONDITION	CRITERION
1	High Temperature Non-Operating Test	80°C*240Hrs	。 No Defect Of Operational Function In Room Temperature Are Allowable 。 IDD of LCM in Pre-and Post-Test Should Follow Specification
2	Low Temperature Non-Operating Test	-30°C*240Hrs	
3	High Temperature/Humidity Non Operating Test	60°C*90%RH*240Hrs	
4	High Temperature Operating Test	70°C*240Hrs	
5	Low Temperature Operating Test	-20°C*240Hrs	
6	Thermal Shock Test	-20°C (30Min) ↔70°C (30Min) *10CYCLES	

Notes:

1. Judgments should be made after exposure in room temperature for two hours.
2. The distill water is used for the high temperature/humidity test.
3. The sample above is individually for every reliability tests condition.

11. Inspection standards

1. AQL (Acceptable Quality Level)

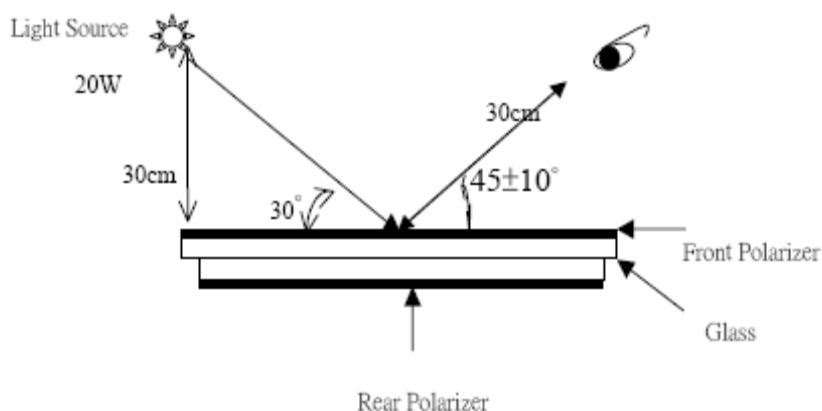
AQL of major and minor defect.

	MAJOR DEFECT	MINOR DEFECT
AQL	0.65	1.5

2. Basic conditions for inspection

The LCM face to us, in normal environment, the lux is 1000 ± 200 . (Darkroom's lux: 100 ± 50), About an angle of incidence 30° , a distance of 30 cm with an angle of $45 \pm 10^\circ$ to check the products without uncovering the film!

(As shown below)

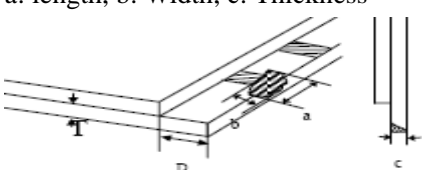
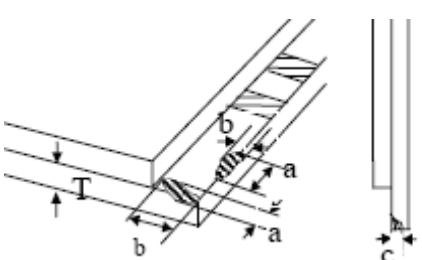
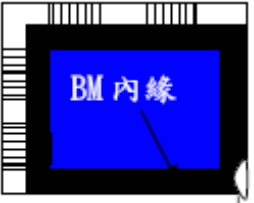
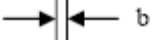


3. Inspection item and criteria

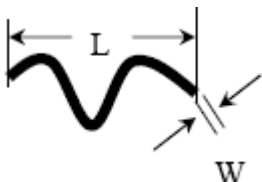
3.1 Visual inspection criterion in immobility

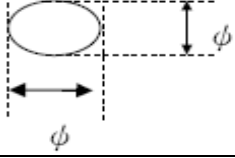
3.1.1 Glass defect

NO	Defect item	Criteria	Remark
1	Dimension Unconformity (Major defect)	By Engineering Drawing	
2	Cracks (Major defect)	1. Linear cracks panel 2. Nonlinear crack contrast by limited sample 【Reject】	
3	Glass extrude the conductive area (minor defect)	a: disregards and no influence assemblage. 1) $b \leq 1/3$ Pin width (non bonding)	A: Length, b: Width


		area) 【Accept】 2)bonding area \leq 0.5mm 【Accept】	
4	Pin-side ,conductive area damaged (minor defect)	(a c: disregards) $b \leq 1/3$ of effective length for bonding electrode 【Accept】	a: length, b: Width, c: Thickness 
5	Pin-side,non-conductive area damaged (minor defect)	1)Damage area don't touch the ITO (Including contraposition mark, except scribing mark) 【Accept】 2) $C < T$ $b \leq BM/3$ of width 【Accept】 3) $c = T$ b not touch the seal glue 【Accept】 4)a disregards	a: Length, b: Width c: Thickness 
6	Non-pin-side damage (minor defect)	$c < T$ 1)b exceeds $1/3BM$ 【Reject】 $c = T$ b not touch the seal glue 【Reject】	c: Thickness b: width of  damage 

3.1.2LCD appearance defect(View area)

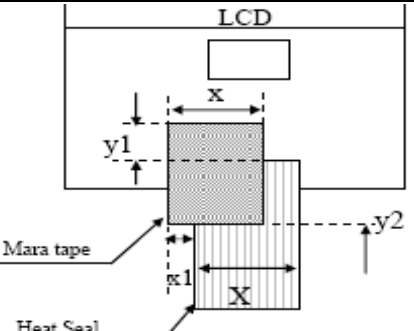
NO	Defect item	Criteria		Remark
		Specification	Allowable	
1	Fiber、 glass cratch、 polarizer scratch/folded (minor defect)	$W \leq 0.03mm$	disregard	note1:L: Length, W: Width note2: disregard if out of AA 
		$0.03mm < W \leq 0.05mm$; $L \leq 3.0mm$	2	
		$0.05mm < W \leq 0.1mm$; $L \leq 3.0mm$	1	
		$W > 0.1mm$; $L > 3.0mm$	0	

2	Polarizer bubble、 concave and convex (minor defect)	$\phi \leq 0.2\text{mm}$	disregard	note1: $\phi = (L+W) / 2$, L:Length, W :Width note2:disregard if out of AA
		$0.2\text{mm} < \phi \leq 0.3\text{mm}$	2	
		$0.3\text{mm} < \phi \leq 0.5\text{mm}$	1	
		$0.5\text{mm} < \phi$	0	
3	Black dots、dirty dots、 impurities、eye winker (minor defect)	$\phi \leq 0.15\text{mm}$	disregard	note2:disregard if out of AA 
		$0.15\text{mm} < \phi \leq 0.25\text{mm}$	2	
		$0.25\text{mm} < \phi \leq 0.3\text{mm}$	1	
		$0.3\text{mm} < \phi$	0	
4	Polarizer prick (minor defect)	$\phi \leq 0.1\text{mm}$	disregard	note1: $\phi = (L+W) / 2$, L=Length, W=Width note2:the distance between two dots>5mm
		$0.1\text{mm} < \phi \leq 0.25\text{mm}$	3	
		$\phi > 0.25\text{mm}$	0	

3.1.3FPC

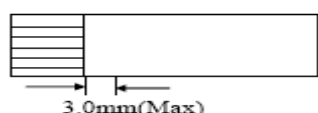
NO	Defect item	Criteria		Remark
1	Copper screen peel (minor defect)	Copper screen peel 【Reject】		
2	No release tape or peel	No release tape or peel 【Reject】		
3	Dirty dot and impurity of FPC for customer using side (minor defect)	Specification	Allowable	Note1: Cannot have stride ITO impurities
		$\phi \leq 0.25\text{mm}$	2	
		$\phi > 0.25$	0	

3.1.4Black tape & Mara tape

NO	Defect item	Criteria	Remark
1	FPC or H/S black tape (minor defect)	1. shift spec: 1) glue to the polarize 【Reject】 2) IC bare 【Reject】 2. left-and-right spec: 1) exceed of FPC edge or H-S edge 【Reject】 2) IC bare 【Reject】	

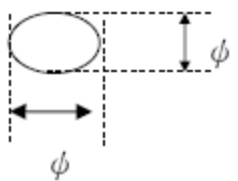
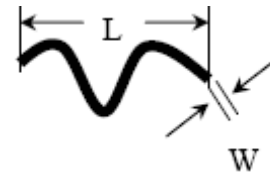
2	No black tape (major defect)	No black tape 【Reject】	
3	Tape position mistake (minor defect)	Not by engineering drawing	
4	Mara tape defect (minor defect)	Peel before pulling the protecting film 【Reject】	

3.1.5 Silicon and Taffy glue

NO	Defect item	Criteria	Remark
1	Quantity of silicon (major defect)	Uncover the ITO and circuit area 【Reject】	note: compared by engineering
2	Taffy glue (major defect)	1.Uncover the reveal copper area【Reject】 2.Cover layer 0.3mm(Min)~3.0mm(Max) 【Reject】	note: if customer has special requirement, refer to the technical document 
3	Depth of glue covering (major defect)	Depth of glue covering overtop front Polarizer 【Reject】	Except of the special requirement

3.2Electrical criteria

NO	Defect item	Criteria	Remark
1	No display (major defect)	No display 【Reject】	
2	Missing line (major defect)	Missing line 【Reject】	
3	Seg-com light and dark (major defect)	Seg-com light and dark 【Reject】	ND filter 2% test
4	No display in immobility (major defect)	No display in immobility 【Reject】	
5	Flicker of Pattern (major defect)	Flicker of Pattern 【Reject】	
6	Mura (major defect)	ND filter 2% test	
7	Over current	Over current	

	(major defect)	【Reject】		
8	Voltage out of specification (major defect)	Voltage out of specification 【Reject】		
9	Pattern blur, error code (major defect)	Pattern blur, error code 【Reject】		
10	Dark light, Flicker (major defect)	Dark light, Flicker 【Reject】		
11	Black/white dots、Dirty dots、eye winker (major defect)	Specification	Allowable	Note1:disregard if out of AA 
		$\phi \leq 0.15\text{mm}$	disregard	
		$0.15\text{mm} < \phi \leq 0.25\text{mm}$	2	
		$0.25\text{mm} < \phi \leq 0.3\text{mm}$	1	
		$0.3\text{mm} < \phi$	0	
12	Fiber、glass crutch、Polarizer scratch/folded (major defect)	$W \leq 0.03\text{mm}$	disregard	Note1:L: Length, W: Width Note2: disregard if out of AA 
		$0.03\text{mm} < W \leq 0.05\text{mm}$ $L \leq 3.0\text{mm}$	2	
		$0.05\text{mm} < W \leq 0.1\text{mm}$ $L \leq 3.0\text{mm}$	1	
		$W > 0.1\text{mm}; L > 3.0\text{mm}$	0	

12.Precautions for using LCD modules.

12.1 Safety

- (1)Do not swallow any liquid crystal ,even if there is no proof that liquid crystal is poisonous.
- (2)If the LCD panel breaks, be careful not to get liquid crystal to touch your skin.
- (3)If skin is exposed to liquid crystal, wash the area thoroughly with alcohol or soap.

12.2Storage Conditions

- (4)Store the panel or module in a dark place where the temperature is $23 \pm 5^{\circ}\text{C}$ and the humidity is below $45 \pm 20\% \text{RH}$.
- (5)Store in anti-static electricity container.
- (6)Store in clean environment, free from dust, active gas, and solvent.

- (7) Do not place the module near organics solvents or corrosive gases.
- (8) Do not crush, shake, or jolt the module.

12.3 Handling Precautions

- (9) Avoid static electricity, which can damage the CMOS LSI.
- (10) The polarizing plate of the display is very fragile, please handle it very carefully.
- (11) Do not give external shock.
- (12) Do not apply excessive force on the surface.
- (13) Do not wipe the polarizing plate with a dry cloth, as it may easily scratch the surface of plate.
- (14) Do not use ketonic solvent & Aromatic solvent, use with a soft cloth soaked with a cleaning naphtha solvent.
- (15) Do not operate it above the absolute maximum rating.
- (16) Do not remove the panel or frame from the module.

12.4 Warranty

The period is within twelve months since the date of shipping out under normal using and storage conditions.

13. Revision history

Version	Revise record	Date
v0.3	Original version (official)	2014-11-21