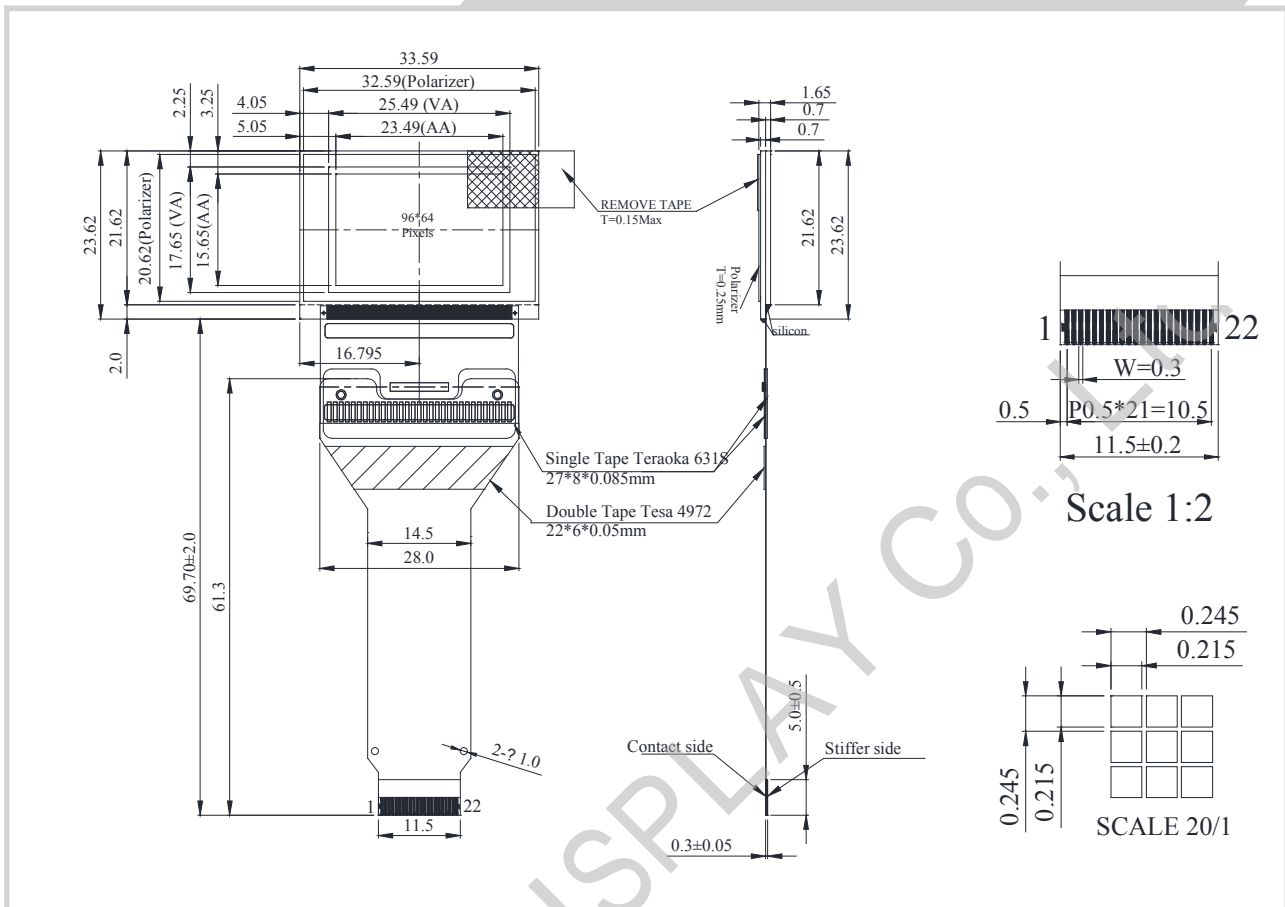


## WEX009664B OLED Graphic 96x64 dots



## Feature

- 96\*64 Dot Matrix
- Built-in controller SSD1305T7R1
- +3V Power supply
- 1/64 duty
- Interface: 6800, 8080, SPI, I2C
- Polarizer optional

Pin No.	Symbol	Description
1	VCC	Panel driving voltage
2	VCOMH	COM deselected level
3	IREF	SEG output current refer pin
4~11	D7~D0	Data Bus
12	E/RD#	Chip Enable Signal
13	R/W#	Read/Write Control
14	D/C#	Data/Command Control Pin
15	RES#	Reset Signal Pin
16	CS#	Chip Select Pin
17	BS2	Interface selection
18	BS1	Interface selection
19	VDD	Voltage for logic
20	NC	No Connection
21	VSS	Ground Pin
22	VSS	Ground Pin

## Mechanical Data

Item	Standard Value	Unit
Module Dimension	33.59 x 23.62	mm
Viewing Area	25.49 x 17.65	mm
Active Area	23.49 x 15.65	mm
Dot Pitch	0.245 x 0.245	mm
Dot Size	0.215 x 0.215	mm

## Electrical Characteristics

Item	Symbol	Condition	Standard Value			Unit
			min.	typ.	max.	
Input Voltage	VDD	---	2.8	3.0	3.3	V