



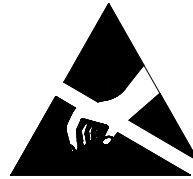
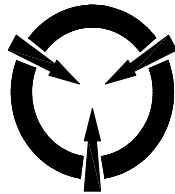
SPE/ AE-SG240BB-C01

Specification

for

AE-SG240BB-C01

(Conformity With RoHS Directive 2002/95/EC)



ECN No.	
Doc. No.	SPE/AE-SG240BB-C01
Revision	01
Date	2008-9-13

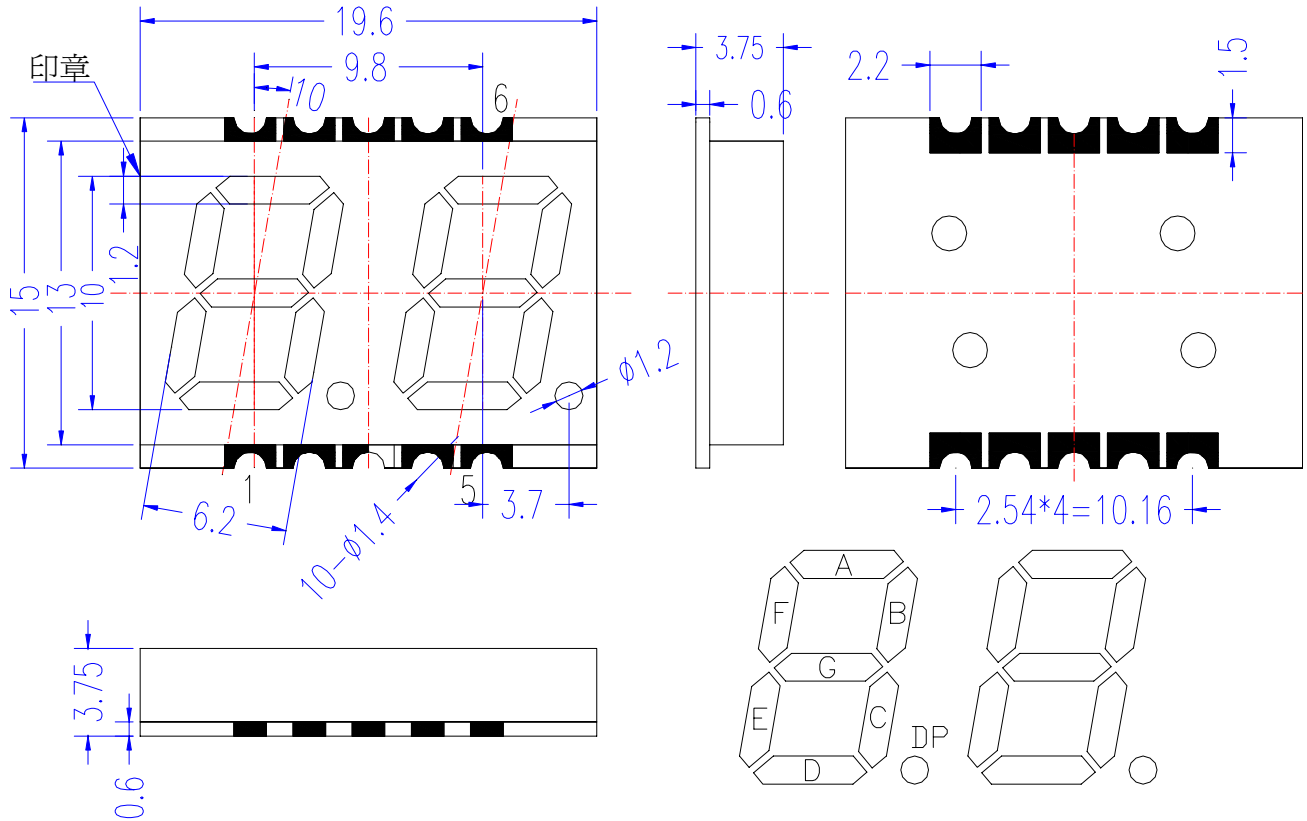
Prepared by	Checked by	Approved by

Date: _____ Date: _____ Date: _____



SPE/ AE-SG240BB-C01

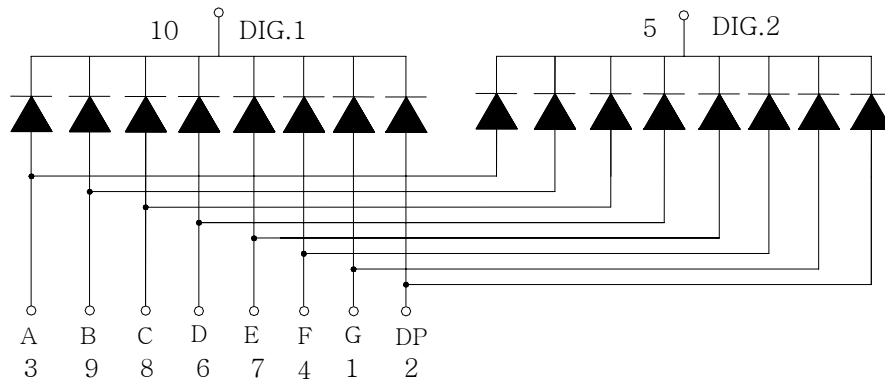
Outer Dimension:



印章: 240BB-C01

Notes: Unless otherwise stated, The tolerance is $\pm 0.25\text{mm}$.

Circuit diagram



Pin Connection:

PIN NO.	CONNECTION	PIN NO.	CONNECTION
1	Anode G	6	Anode D
2	Anode DP	7	Anode E
3	Anode A	8	Anode C
4	Anode F	9	Anode B
5	Common Cathode DIG.2	10	Common Cathode DIG.1



SPE/ AE-SG240BB-C01

■ Features:

- High Reliability
- Color :Blue Digit
- Low Power Requirement
- Easy Assembly

■ Description:

- Dual Digit Display
- Digit Height:10.0mm(0.39")
- Gray surface and Molding With White Epoxy Common Cathode

■ Absolute Maximum Rating (Ta=25°C):

Parameter	Symbol	Condition	Color	Rating	Units
Power Dissipation Per Segment	P _d	—	Blue	100	mW
Forward Current Per Segment	I _F	—	Blue	20	mA
Derating Of If Per Segment	ΔI _F	Ta ≥ 25°C	Blue	0.3	mA/°C
Peak Forward Current Per Segment	I _{FP}	1/10 Duty 10KHz	Blue	100	mA
Reverse Voltage Per Segment	V _R	—	Blue	5	V
Operating Temperature Range	Topr	—	—	-40~+105	°C
Storage Temperature Range	Tstg	—	—	-40~+105	°C

■ Electrical/Optical Characteristics Rating(Ta=25°C)

Item	Symbol	Test conditions	Location	Color	Rating			Units
					Min.	Typ.	Max.	
Forward Voltage	V _F	I _F =20mA	Per Segment	Blue	—	3.2	3.6	V
Reverse Current	I _R	V _R =5V	Per Segment	Blue	—	—	100	μA
Luminous Intensity	I _V	I _F =10mA	Per Segment	Blue	5.4	11.2	—	mcd
Peak Emission Wave Length	λ _D	I _F =20mA	Per Segment	Blue	465	470	475	nm
Spectral Line Half Width	Δλ	I _F =20mA	Per Segment	Blue	—	20	—	nm
Luminous Intensity Matching Ratio(Segment To Segment)	I _{V-m}	I _F =10mA					2:1	

■ Remark: Use only with no-clean solder. Displays are not to be washed or cleaned, may cause segment failure.

■ Pb, Cd, Hg, Cr+6, PBBs, PBDEs 6 Substances Complies To RoHS Standard.

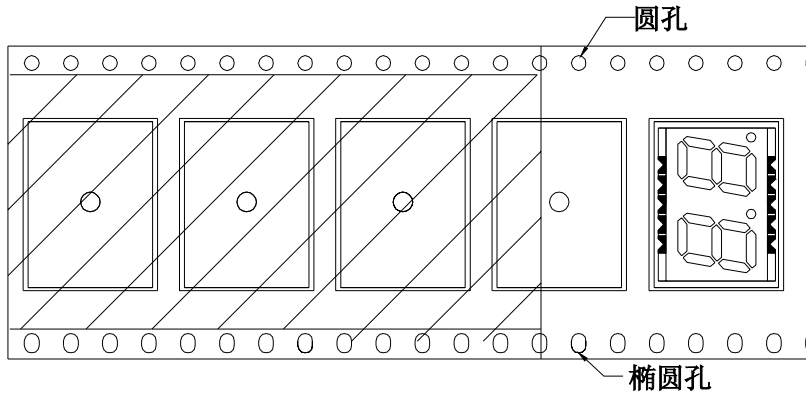
■ Soldering Conditions: Soldering Temp. ≤ +260°C, Soldering Time. ≤ 3sec.

(at 2mm Distance from The Case of Reflector Edge)

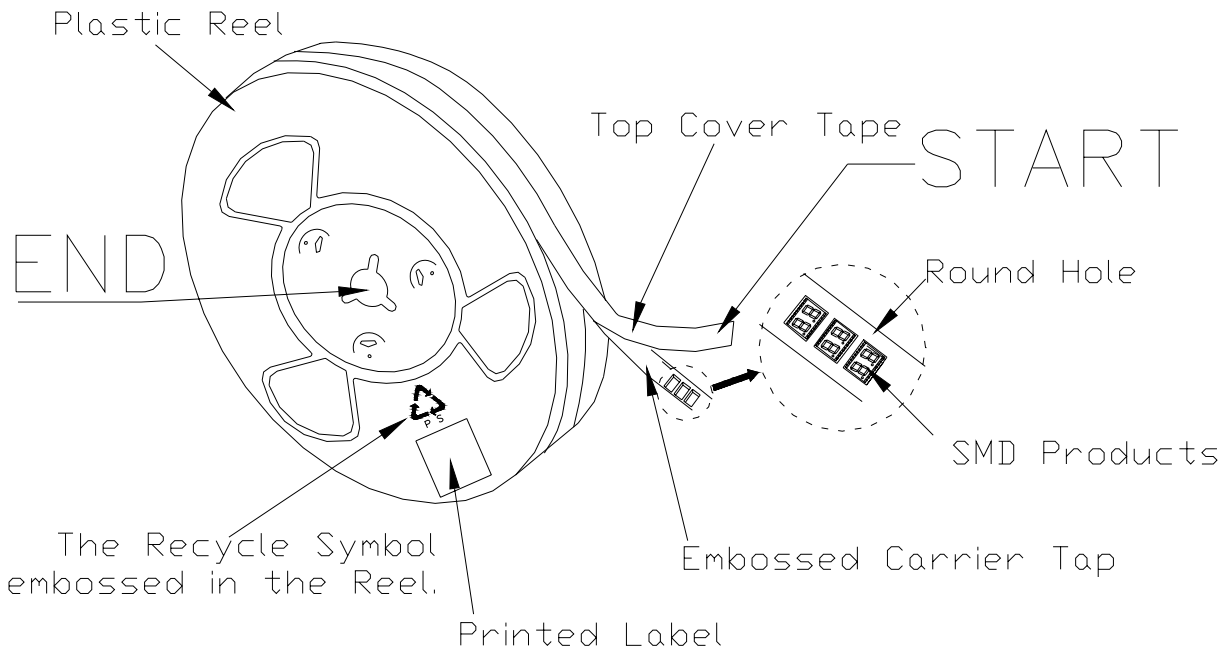


SPE/ AE-SG240BB-C01

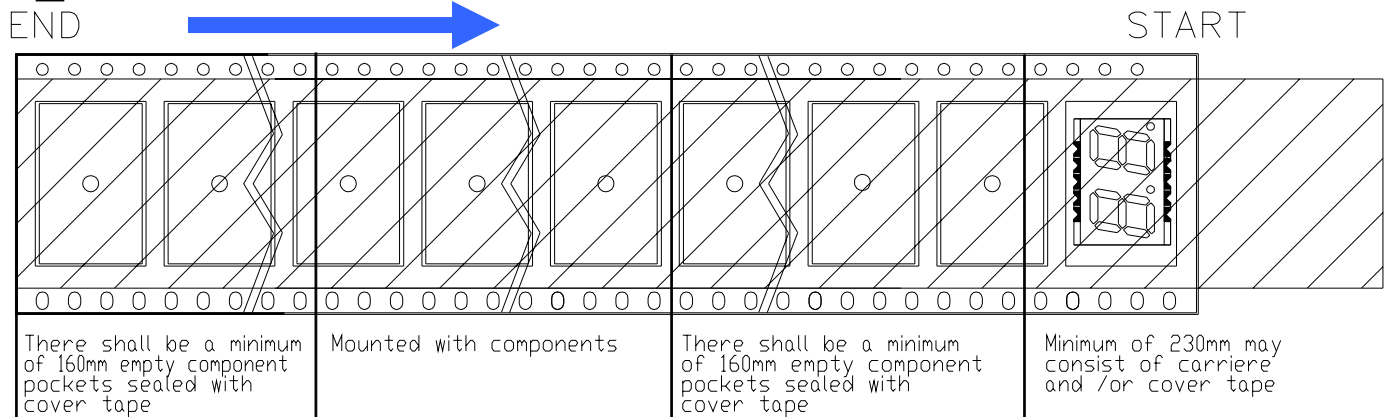
■ The Products In The Reel Of Direction



■ Label Direction & Content In The Roll



■ USER FEED DIRECTION



■ Package Criteria:

1. Total unit per reel is 500PCS.
2. Max 5 reels/2500PCS are packaged in each carton