



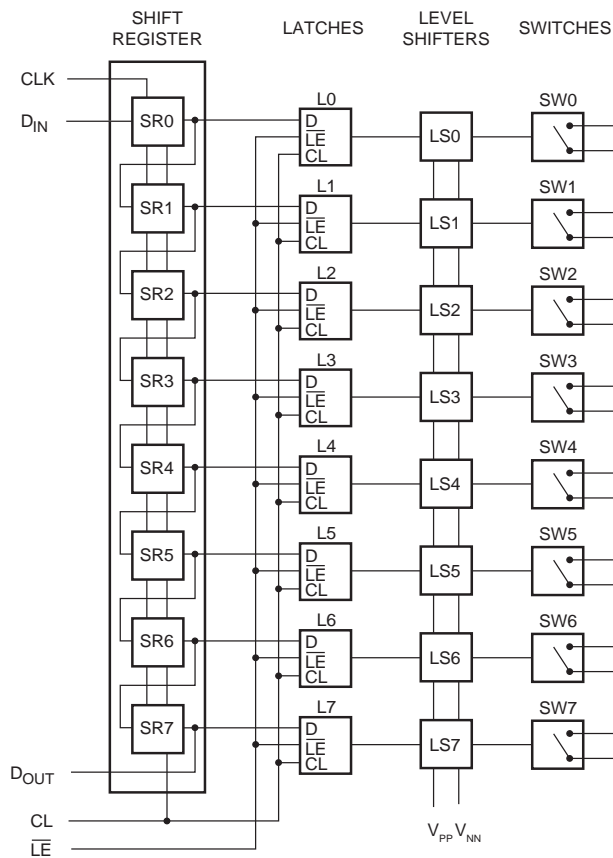
### Features

- Processed with BCDMOS on SOI (Silicon On Insulator)
- Flexible High Voltage Supplies up to  $V_{PP}-V_{NN}=200V$
- DC to 10MHz Analog Signal Frequency
- -60dB Minimum Output-Off Isolation at 5MHz
- Low Quiescent Power Dissipation ( $< 1\mu A$  typical)
- Output On-Resistance Typically  $20\Omega$
- TTL I/O's for 3.3V Interface
- Adjustable High Voltage Supplies
- Surface Mount Package

### Applications

- Ultrasound Imaging
- Printers
- Industrial Controls and Measurement
- Piezoelectric Transducer Drivers

Figure 1. Block Diagram



### Description

The CPC7220 is a low charge injection 8-channel high-voltage analog switch integrated circuit (IC) for use in applications requiring high voltage switching. Control of the high voltage switching is via low voltage TTL logic level compatible inputs for direct connectivity to the system controller.

Switch manipulation is managed by an 8-bit serial to parallel shift register whose outputs are buffered and stored by an 8-bit transparent latch. Level shifters buffer the latch outputs and operate the high voltage switches.

Because the CPC7220 is capable of switching high load voltages and has a flexible load voltage range, e.g.  $V_{PP}/V_{NN} : +40V/-160V$  or  $+100V/-100V$ , it is well suited for many medical and industrial applications such as medical ultrasound imaging, printers, and industrial measurement equipment.

Construction of the high voltage switches using IXYS Integrated Circuits' reliable BCDMOS process technology on SOI (Silicon On Insulator) enable the switches to be organized as solid state switches with direct gate drive.

### Ordering Information

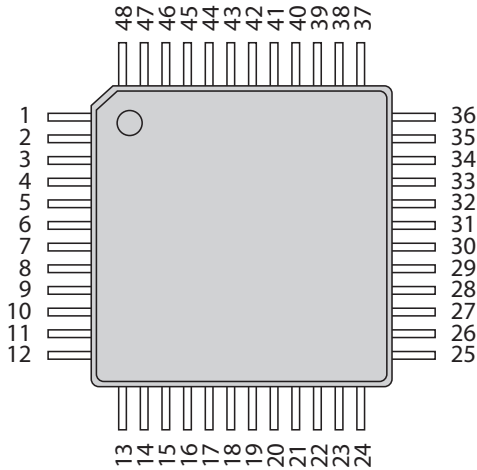
Part Number	Description
CPC7220K	48-Lead LQFP in Trays (250/Tray)
CPC7220KTR	48-Lead LQFP Tape & Reel (2000/Reel)



<b>1. Specifications</b> .....	<b>3</b>
1.1 Package Pinout .....	3
1.2 Pin Description .....	3
1.3 Absolute Maximum Ratings @ 25°C .....	4
1.4 Operating Conditions .....	4
1.5 Electrical Characteristics .....	5
<b>2. Functional Description</b> .....	<b>8</b>
2.1 Truth Table .....	9
2.2 Logic Timing Waveforms .....	9
<b>3. Manufacturing Information</b> .....	<b>10</b>
3.1 Moisture Sensitivity .....	10
3.2 ESD Sensitivity .....	10
3.3 Soldering Profile .....	10
3.4 Board Wash .....	10
3.5 Mechanical Dimensions .....	11
3.5.1 CPC7220K 48-Pin LQFP Package .....	11
3.6 Tape and Reel Specifications .....	11
3.6.1 CPC7220KTR LQFP-48 Tape & Reel .....	11

## 1. Specifications

### 1.1 Package Pinout



### 1.2 Pin Description

Pin	Name	Description
1	SW5	SW5 Output
3	SW4	SW4 Output
5	SW4	SW4 Output
8	SW3	SW3 Output
10	SW3	SW3 Output
12	SW2	SW2 Output
14	SW2	SW2 Output
16	SW1	SW1 Output
18	SW1	SW1 Output
20	SW0	SW0 Output
22	SW0	SW0 Output
24	V <sub>PP</sub>	Switch Positive High Voltage Supply
25	V <sub>NN</sub>	Switch Negative High Voltage Supply
28	GND	Ground
29	V <sub>DD</sub>	Logic Positive Supply Voltage
33	D <sub>IN</sub>	Serial Data Input
34	CLK	Clock Input, Positive Edge Trigger
35	$\overline{LE}$	Latch Enable, Active Low
36	CL	Latch Clear, Active High Clears Latches And Opens Switches
37	D <sub>OUT</sub>	Serial Data Output
39	SW7	SW7 Output
41	SW7	SW7 Output
43	SW6	SW6 Output
45	SW6	SW6 Output
47	SW5	SW5 Output
2, 4, 6, 7, 9, 11, 13, 15, 17, 19, 21, 23, 26, 27, 30, 31, 32, 38, 40, 42, 44, 46, 48	N/C	No Connection

### 1.3 Absolute Maximum Ratings @ 25°C

Parameter	Min	Max	Units
V <sub>DD</sub> Logic Power Supply Voltage	-0.5	6	V
V <sub>PP</sub> - V <sub>NN</sub> Supply Voltage	-	220	V
V <sub>PP</sub> Positive High Voltage Supply	-0.5	V <sub>NN</sub> +200	V
V <sub>NN</sub> Negative High Voltage Supply	+0.5	V <sub>PP</sub> -200	V
Logic input voltages	-0.5	V <sub>DD</sub> +0.3	V
Analog signal range	V <sub>NN</sub>	V <sub>PP</sub>	V
Peak analog signal current per channel	-	1	A
Power dissipation	-	2.3	W
Thermal Impedance, Junction to Ambient	-	53	°C/W
Storage temperature	-60	+150	°C

*Absolute Maximum Ratings are stress ratings. Stresses in excess of these ratings can cause permanent damage to the device. Functional operation of the device at conditions beyond those indicated in the operational sections of this data sheet is not implied.*

*Typical values are characteristic of the device at +25°C, and are the result of engineering evaluations. They are provided for information purposes only, and are not part of the manufacturing testing requirements.*

### 1.4 Operating Conditions

Parameter	Symbol	Value
Logic power supply voltage <sup>1, 3</sup>	V <sub>DD</sub>	4.5V to 6V
Positive high voltage supply <sup>1, 3</sup>	V <sub>PP</sub>	40V to V <sub>NN</sub> + 200V
Negative high voltage supply <sup>1, 3</sup>	V <sub>NN</sub>	-40V to -160V
Analog signal voltage, peak-to-peak <sup>2</sup>	V <sub>SIG</sub>	V <sub>NN</sub> +10V to V <sub>PP</sub> -10V
Operating temperature	T <sub>A</sub>	0°C to 70°C

<sup>1</sup> Power up/down sequence is arbitrary except that GND must be powered-up first and powered-down last.

<sup>2</sup> V<sub>SIG</sub> must be V<sub>NN</sub> ≤ V<sub>SIG</sub> ≤ V<sub>PP</sub> or floating during power up/down transition.

<sup>3</sup> Rise and fall times of power supplies, V<sub>DD</sub>, V<sub>PP</sub>, and V<sub>NN</sub>, should not be less than 1ms.

1.5 Electrical Characteristics

1.5.1 Switch Characteristics (over recommended operating conditions unless otherwise noted)

Parameter	Symbol	Test Conditions	0°C		+25°C			+70°C		Units
			min	max	min	typ	max	min	max	
Small Signal Switch On-Resistance	R <sub>ONS</sub>	V <sub>PP</sub> =40V, V <sub>NN</sub> =-160V, I <sub>SW</sub> =5mA	-	30	-	20	38	-	48	Ω
		V <sub>PP</sub> =40V, V <sub>NN</sub> =-160V, I <sub>SW</sub> =200mA	-	25	-	-	27	-	32	
		V <sub>PP</sub> =100V, V <sub>NN</sub> =-100V, I <sub>SW</sub> =5mA	-	25	-	20	27	-	33	
		V <sub>PP</sub> =100V, V <sub>NN</sub> =-100V, I <sub>SW</sub> =200mA	-	18	-	15	24	-	27	
		V <sub>PP</sub> =160V, V <sub>NN</sub> =-40V, I <sub>SW</sub> =5mA	-	23	-	20	25	-	30	
		V <sub>PP</sub> =160V, V <sub>NN</sub> =-40V, I <sub>SW</sub> =200mA	-	22	-	-	25	-	27	
Small Signal Switch On-Resistance Matching	ΔR <sub>ONS</sub>	I <sub>SW</sub> =5mA, V <sub>PP</sub> =100V, V <sub>NN</sub> =-100V	-	20	-	4	20	-	20	%
Large Signal Switch On-resistance	R <sub>ONL</sub>	V <sub>SIG</sub> =V <sub>PP</sub> -10V, I <sub>SIG</sub> =0.8A	-	-	-	16	-	-	-	Ω
Switch Off Leakage Per Switch	I <sub>SOL</sub>	V <sub>SIG</sub> =V <sub>PP</sub> -10V and V <sub>NN</sub> +10V	-	5	-	0.4	10	-	15	μA
DC Offset, Switch Off	-	R <sub>L</sub> =100kΩ	-	100	-	0.2	100	-	100	mV
DC Offset, Switch On	-	R <sub>L</sub> =100kΩ	-	100	-	0.2	100	-	100	
Switch Output Peak Current	-	V <sub>SIG</sub> duty cycle = 0.1%	-	-	-	-	0.8	-	-	A
Output Switch Frequency	f <sub>SW</sub>	Duty cycle = 50%	-	-	-	-	50	-	-	kHz
Maximum V <sub>SIG</sub> Slew Rate	dV/dt	V <sub>PP</sub> =160V, V <sub>NN</sub> =-40V	-	20	-	-	20	-	20	V/ns
		V <sub>PP</sub> =100V, V <sub>NN</sub> =-100V								
		V <sub>PP</sub> =40V, V <sub>NN</sub> =-160V								
Off Isolation	K <sub>O</sub>	f=5MHz, 1kΩ/15pF load	-30	-	-30	-	-	-30	-	dB
		f=5MHz, 50Ω load	-58	-	-58	-	-	-58	-	
Switch Crosstalk	K <sub>CR</sub>	f=5MHz, 50Ω load	-60	-	-60	-	-	-60	-	dB
Output Switch Isolation Diode Current	I <sub>ID</sub>	300ns pulse width, 2.0% duty cycle	-	300	-	-	300	-	300	mA
Off Capacitance, SW to GND	C <sub>SG(OFF)</sub>	V <sub>SW</sub> =0V, 1MHz	5	17	5	-	25	5	20	pF
On Capacitance, SW to GND	C <sub>SG(ON)</sub>	V <sub>SW</sub> =0V, 1MHz	25	40	20	-	40	25	50	
Output Voltage Spike	+V <sub>SPK</sub>	V <sub>PP</sub> =40V, V <sub>NN</sub> =-160V, R <sub>L</sub> =50Ω	-	-	-	37	150	-	-	mV
	-V <sub>SPK</sub>					93				
	+V <sub>SPK</sub>	V <sub>PP</sub> =100V, V <sub>NN</sub> =-100V, R <sub>L</sub> =50Ω	-	-	-	35	150	-	-	
	-V <sub>SPK</sub>					80				
	+V <sub>SPK</sub>	V <sub>PP</sub> =160V, V <sub>NN</sub> =-40V, R <sub>L</sub> =50Ω	-	-	-	46	150	-	-	
	-V <sub>SPK</sub>					72				
Charge Injection	Q	V <sub>PP</sub> =100V, V <sub>NN</sub> =-100V, V <sub>SIG</sub> =0V	-	-	-	880	-	-	-	pC

1.5.2 Logic DC Characteristics (over recommended operating conditions unless otherwise noted)

Parameter	Symbol	Test Conditions	0°C		+25°C			+70°C		Units
			min	max	min	typ	max	min	max	
D <sub>OUT</sub> Source Capability	V <sub>OH</sub>	I <sub>OUT</sub> = - 400μA	-	-	V <sub>DD</sub> -0.7	V <sub>DD</sub> -0.1	-	-	-	V
D <sub>OUT</sub> Sink Capability	V <sub>OL</sub>	I <sub>OUT</sub> = +400μA	-	-	-	0.04	0.7	-	-	V
Logic Input Capacitance	C <sub>IN</sub>	-	-	10	-	-	10	-	10	pF
Logic Input High	V <sub>IH</sub>	4.75V < V <sub>DD</sub> < 5.25V	2	-	2	-	-	2	-	V
Logic Input Low	V <sub>IL</sub>	4.75V < V <sub>DD</sub> < 5.25V	-	0.8	-	-	0.8	-	0.8	V

1.5.3 Logic Timing Characteristics (over recommended operating conditions unless otherwise noted)

Parameter	Symbol	Test Conditions	0°C		+25°C			70°C		Units
			min	max	min	typ	max	min	max	
Setup Time Before $\overline{LE}$ Rises	t <sub>SD</sub>	-	150	-	150	-	-	150	-	ns
Time Width of $\overline{LE}$	t <sub>WLE</sub>	-	150	-	150	-	-	150	-	
Clock Delay Time to Data Out	t <sub>DO</sub>	-	-	150	-	62	150	-	150	
Time Width of CL	t <sub>WCL</sub>	-	150	-	150	-	-	150	-	
Setup Time, Data to Clock	t <sub>SU</sub>	-	15	-	15	8	-	20	-	
Hold Time, Data from Clock	t <sub>H</sub>	-	35	-	35	-	-	35	-	
Clock Frequency	f <sub>CLK</sub>	50% duty cycle, f <sub>DATA</sub> =f <sub>CLK</sub> /2	-	5	-	-	5	-	5	MHz
Clock Rise and Fall Times	t <sub>R</sub> , t <sub>F</sub>	-	-	50	-	-	50	-	50	ns
Turn-On Time	t <sub>ON</sub>	V <sub>SIG</sub> =V <sub>PP</sub> -10V, R <sub>L</sub> =10kΩ	-	5	-	2	5	-	5	μs
Turn-Off Time	t <sub>OFF</sub>					3				

1.5.4 Supply DC Characteristics (over recommended operating conditions unless otherwise noted)

Parameter	Symbol	Test Conditions	0°C		+25°C			+70°C		Units	
			min	max	min	typ	max	min	max		
V <sub>PP</sub> Quiescent Supply Current	I <sub>PPQ</sub>	All Switches OFF All Switches ON, I <sub>SW</sub> =5mA	-	-	-	0.1	10	-	-	μA	
V <sub>NN</sub> Quiescent Supply Current	I <sub>NNQ</sub>	All Switches OFF All Switches ON, I <sub>SW</sub> =5mA	-	-	-	-0.1	-10	-	-		
V <sub>PP</sub> Operating Supply Current	I <sub>PP</sub>	V <sub>PP</sub> =40V, V <sub>NN</sub> =-160V	50kHz Output Switching Frequency with No Load	-	6.5	-	-	7	-	8	mA
		V <sub>PP</sub> =100V, V <sub>NN</sub> =-100V		-	5	-	-	5.5	-	5.5	
		V <sub>PP</sub> =160V, V <sub>NN</sub> =-40V		-	5	-	-	5	-	5.5	
V <sub>NN</sub> Operating Supply Current	I <sub>NN</sub>	V <sub>PP</sub> =40V, V <sub>NN</sub> =-160V	50kHz Output Switching Frequency with No Load	-	6.5	-	-	7	-	8	mA
		V <sub>PP</sub> =100V, V <sub>NN</sub> =-100V		-	5	-	-	5.5	-	5.5	
		V <sub>PP</sub> =160V, V <sub>NN</sub> =-40V		-	5	-	-	5	-	5.5	
V <sub>DD</sub> Average Supply Current	I <sub>DD</sub>	f <sub>CLK</sub> =5MHz, V <sub>DD</sub> =5V	-	4	-	-	4	-	4	mA	
V <sub>DD</sub> Quiescent Supply Current	I <sub>DDQ</sub>	-	-	10	-	0.03	10	-	10	μA	

## 2. Functional Description

The CPC7220 takes a serial stream of input data along with a synchronous clock signal. As the clock transits from low to high, the data at the input of each shift register is shifted through from SR(n) to SR(n+1). A high data bit, a "1," represents an ON switch; a low data bit, a "0," represents an OFF switch. Data is input and shifted through the internal shift register until all eight shift register positions, SR0 through SR7, are in the desired state.

**D<sub>IN</sub>:** The data-in line presents data bits to be shifted through the internal shift register.

**CLK:** The clock signal's rising edge is associated only with shifting data into and through the shift register.

**CL:** The clear line overrides all other inputs. When CL is high, the shift register is cleared to all 0s and all latches are set low, which causes all output switches to be turned OFF immediately. When CL is low, all output switches remain in whatever state they are in, ON or OFF, in response to CLK, latch inputs, and the LE signal.

**LE:** latch enable controls the state of the latches and thus the state of the eight switches. If LE is high, then the latches do not change states, but retain their most recent status: either ON or OFF. With LE high, input data and CLK have no effect on the state of the output switches. If LE is low, then all latch outputs and their switch states follow the inputs from the shift register. LE is overridden by CL: regardless of LE's state, CL clears the latches. See "Truth Table" on page 9.

**D<sub>OUT</sub>:** The data-out pin is the output of SR7. After eight clock pulses, the first bit of eight input data bits is shifted to SR7 and appears on D<sub>OUT</sub>.

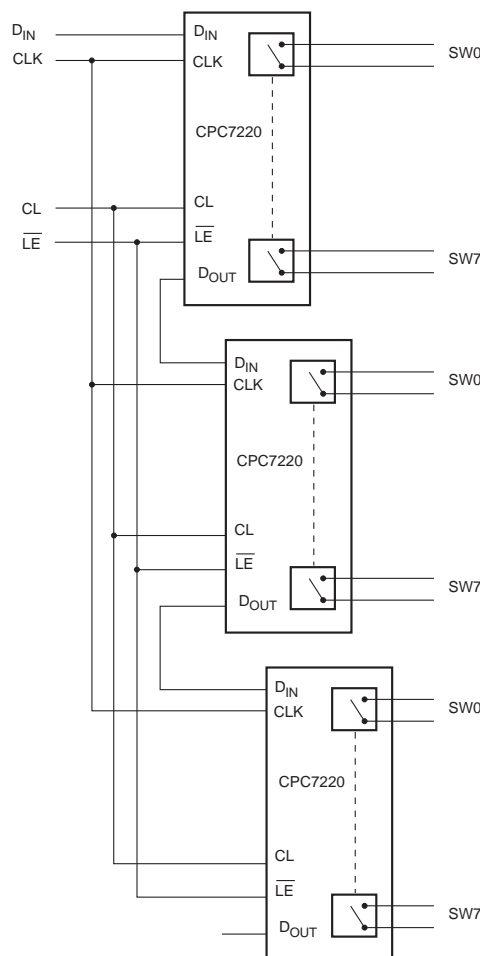
**SW0 - SW7:** The CPC7220 provides eight high-voltage SPST output switches with a typical on-resistance of 20Ω. The two connections of each switch are not polarity-sensitive.

**V<sub>PP</sub> and V<sub>NN</sub>:** Voltage inputs to the level shifters for each switch channel that translate the voltage level of the latch output signals to an appropriate level for the voltages being switched.

The high-voltage output switches are turned on and off in response to the data sent into the latches from the shift register: data 0 turns a switch OFF, data 1 turns a switch ON.

Two or more CPC7220 devices can be cascaded to form an n-switch arrangement. The D<sub>OUT</sub> pin of the first is connected to the D<sub>IN</sub> pin of the next in the series. All devices are connected to the same clock (CLK) signal. LE of all devices would normally be connected, as would CL, but this is not necessary.

The first data bit applied to D<sub>IN</sub> of the CPC7220, whether it's a single device or several cascaded devices, ripples through to the last switch output in line after the application of a full clocking sequence of 8 clock pulses per CPC7220. Setting the serial I/O device to output the most significant bit (MSB) first, results in the MSB appearing on SW7 of the last device in line after a full clocking sequence..





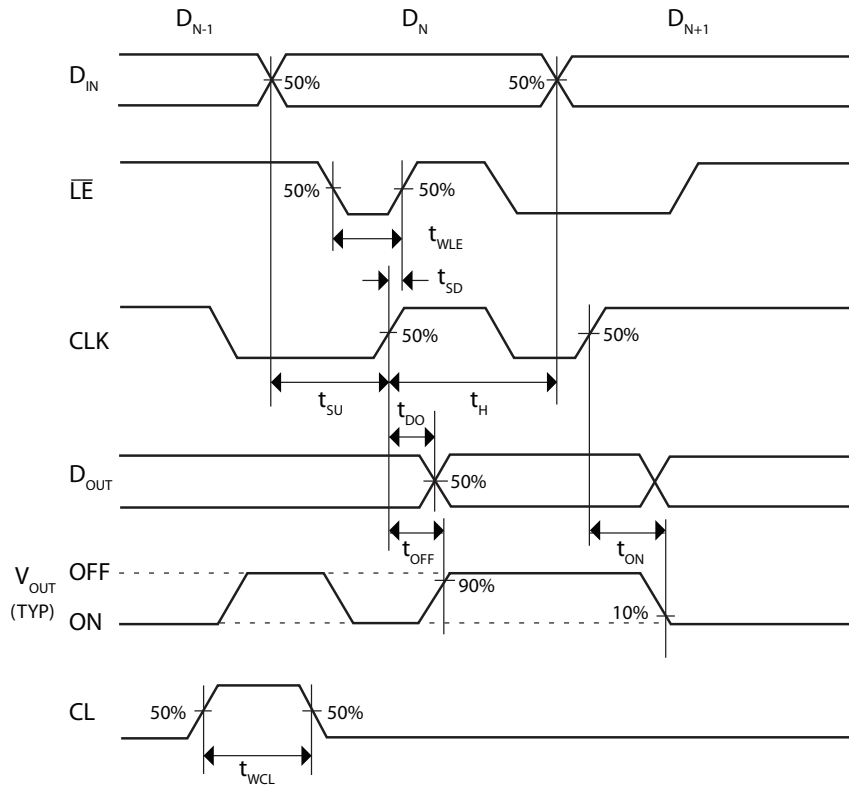
### 2.1 Truth Table

D0	D1	D2	D3	D4	D5	D6	D7	LE	CL	SW0	SW1	SW2	SW3	SW4	SW5	SW6	SW7
L								L	L	OFF							
H								L	L	ON							
	L							L	L		OFF						
	H							L	L		ON						
		L						L	L			OFF					
		H						L	L			ON					
			L					L	L				OFF				
			H					L	L				ON				
				L				L	L					OFF			
				H				L	L					ON			
					L			L	L						OFF		
					H			L	L						ON		
						L		L	L							OFF	
						H		L	L							ON	
							L	L	L								OFF
							H	L	L								ON
X	X	X	X	X	X	X	X	H	L	HOLD PREVIOUS STATE							
X	X	X	X	X	X	X	X	X	H	OFF	OFF	OFF	OFF	OFF	OFF	OFF	OFF

**Notes:**

1. The eight switches operate independently.
2. Serial data is clocked in on the rising edge of the CLK signal.
3. The switches go to a state retaining their present condition at the rising edge of LE. When LE is low the shift register data flows through the latch.
4. D<sub>OUT</sub> is high when switch 7 is on.
5. Shift register clocking has no effect on the switch states if LE is H.
6. The clear input overrides all other inputs.

### 2.2 Logic Timing Waveforms



### 3 Manufacturing Information

#### 3.1 Moisture Sensitivity



All plastic encapsulated semiconductor packages are susceptible to moisture ingress. IXYS Integrated Circuits classifies its plastic encapsulated devices for moisture sensitivity according to the latest version of the joint industry standard, **IPC/JEDEC J-STD-020**, in force at the time of product evaluation. We test all of our products to the maximum conditions set forth in the standard, and guarantee proper operation of our devices when handled according to the limitations and information in that standard as well as to any limitations set forth in the information or standards referenced below.

Failure to adhere to the warnings or limitations as established by the listed specifications could result in reduced product performance, reduction of operable life, and/or reduction of overall reliability.

This product carries a **Moisture Sensitivity Level (MSL)** classification as shown below, and should be handled according to the requirements of the latest version of the joint industry standard **IPC/JEDEC J-STD-033**.

Device	Moisture Sensitivity Level (MSL) Classification
CPC7220K	MSL 3

#### 3.2 ESD Sensitivity



This product is **ESD Sensitive**, and should be handled according to the industry standard **JESD-625**.

#### 3.3 Soldering Profile

Provided in the table below is the Classification Temperature ( $T_C$ ) of this product and the maximum dwell time the body temperature of this device may be ( $T_C - 5$ )°C or greater. The classification temperature sets the Maximum Body Temperature allowed for this device during lead-free reflow processes. For through-hole devices, and any other processes, the guidelines of **J-STD-020** must be observed.

Device	Classification Temperature ( $T_C$ )	Dwell Time ( $t_p$ )	Max Reflow Cycles
CPC7220K	260°C	30 seconds	3

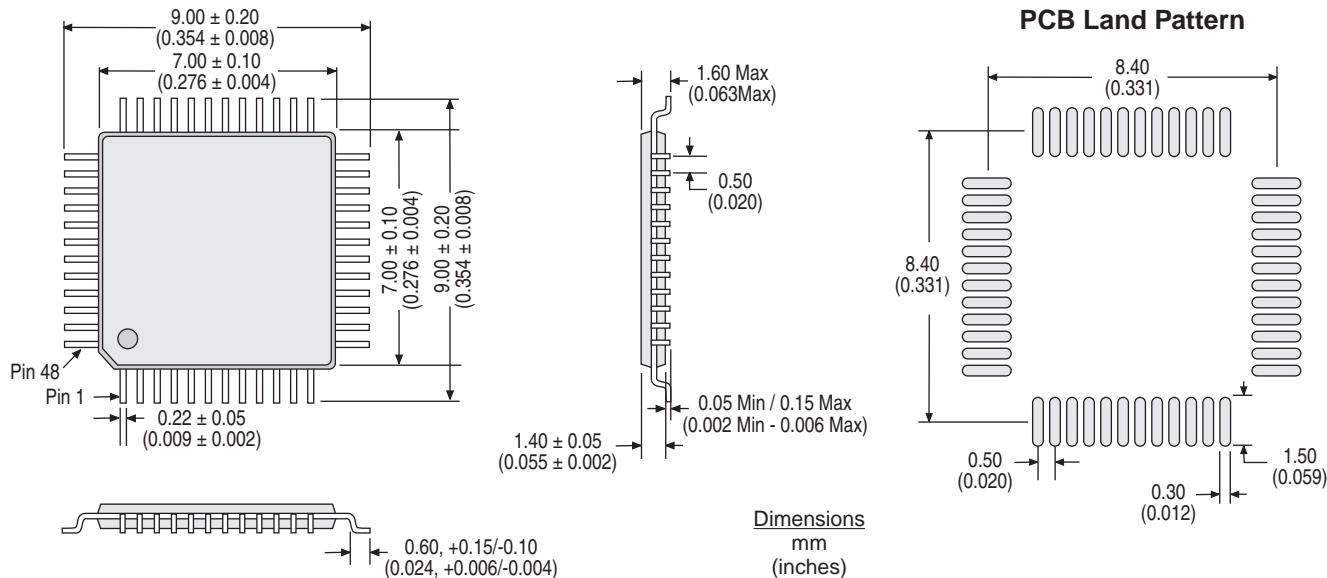
#### 3.4 Board Wash

IXYS Integrated Circuits recommends the use of no-clean flux formulations. Board washing to reduce or remove flux residue following the solder reflow process is acceptable provided proper precautions are taken to prevent damage to the device. These precautions include but are not limited to: using a low pressure wash and providing a follow up bake cycle sufficient to remove any moisture trapped within the device due to the washing process. Due to the variability of the wash parameters used to clean the board, determination of the bake temperature and duration necessary to remove the moisture trapped within the package is the responsibility of the user (assembler). Cleaning or drying methods that employ ultrasonic energy may damage the device and should not be used. Additionally, the device must not be exposed to flux or solvents that are Chlorine- or Fluorine-based.



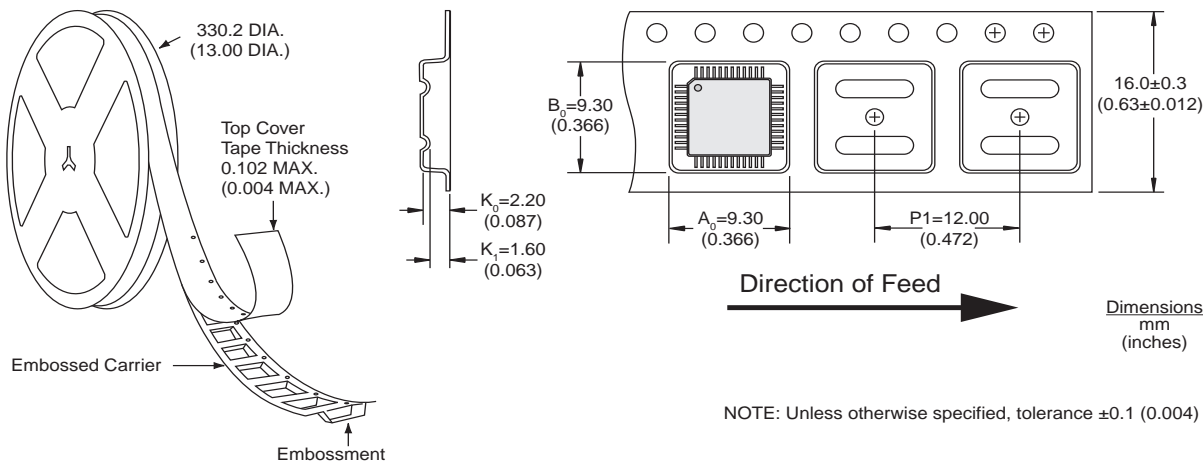
### 3.5 Mechanical Dimensions

#### 3.5.1 CPC7220K 48-Pin LQFP Package



### 3.6 Tape and Reel Specifications

#### 3.6.1 CPC7220KTR LQFP-48 Tape & Reel



For additional information please visit [www.ixysic.com](http://www.ixysic.com)

IXYS Integrated Circuits makes no representations or warranties with respect to the accuracy or completeness of the contents of this publication and reserves the right to make changes to specifications and product descriptions at any time without notice. Neither circuit patent licenses nor indemnity are expressed or implied. Except as set forth in IXYS Integrated Circuits' Standard Terms and Conditions of Sale, IXYS Integrated Circuits assumes no liability whatsoever, and disclaims any express or implied warranty, relating to its products including, but not limited to, the implied warranty of merchantability, fitness for a particular purpose, or infringement of any intellectual property right.

The products described in this document are not designed, intended, authorized or warranted for use as components in systems intended for surgical implant into the body, or in other applications intended to support or sustain life, or where malfunction of IXYS Integrated Circuits' product may result in direct physical harm, injury, or death to a person or severe property or environmental damage. IXYS Integrated Circuits reserves the right to discontinue or make changes to its products at any time without notice.

Specification: DS-CPC7220-R03  
 © Copyright 2018, IXYS Integrated Circuits  
 All rights reserved. Printed in USA.  
 6/14/2018